



LEFROY BROOKS

1 8 2 8 T R O U T M A N S T R E E T
R I D G E W O O D N E W Y O R K N Y 1 1 3 8 5 U S A
T: +1(718) 302 5292 F: +1(718) 302 4177

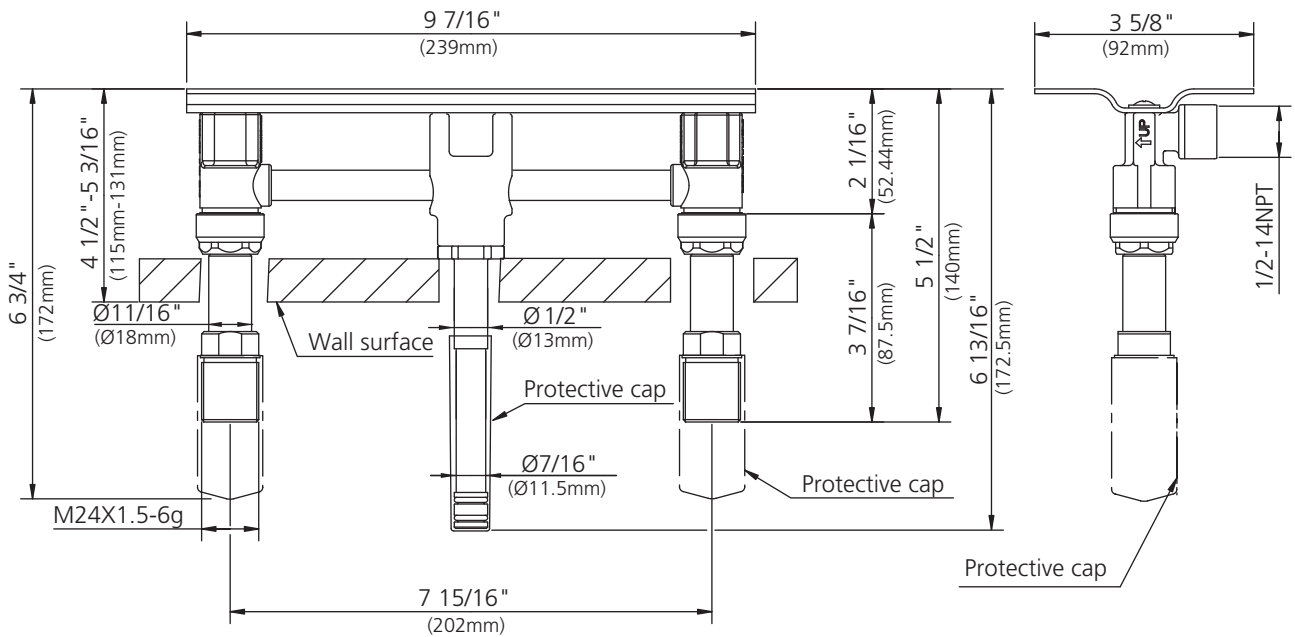
R1-4016

LEVER 3-HOLE WALL BASIN MIXER ROUGH, TO SUIT K1-1401,
X1-1030, M2-1111

DIMENSIONAL DATA SHEET

DATE: 4 May 2012

No: A66F100W



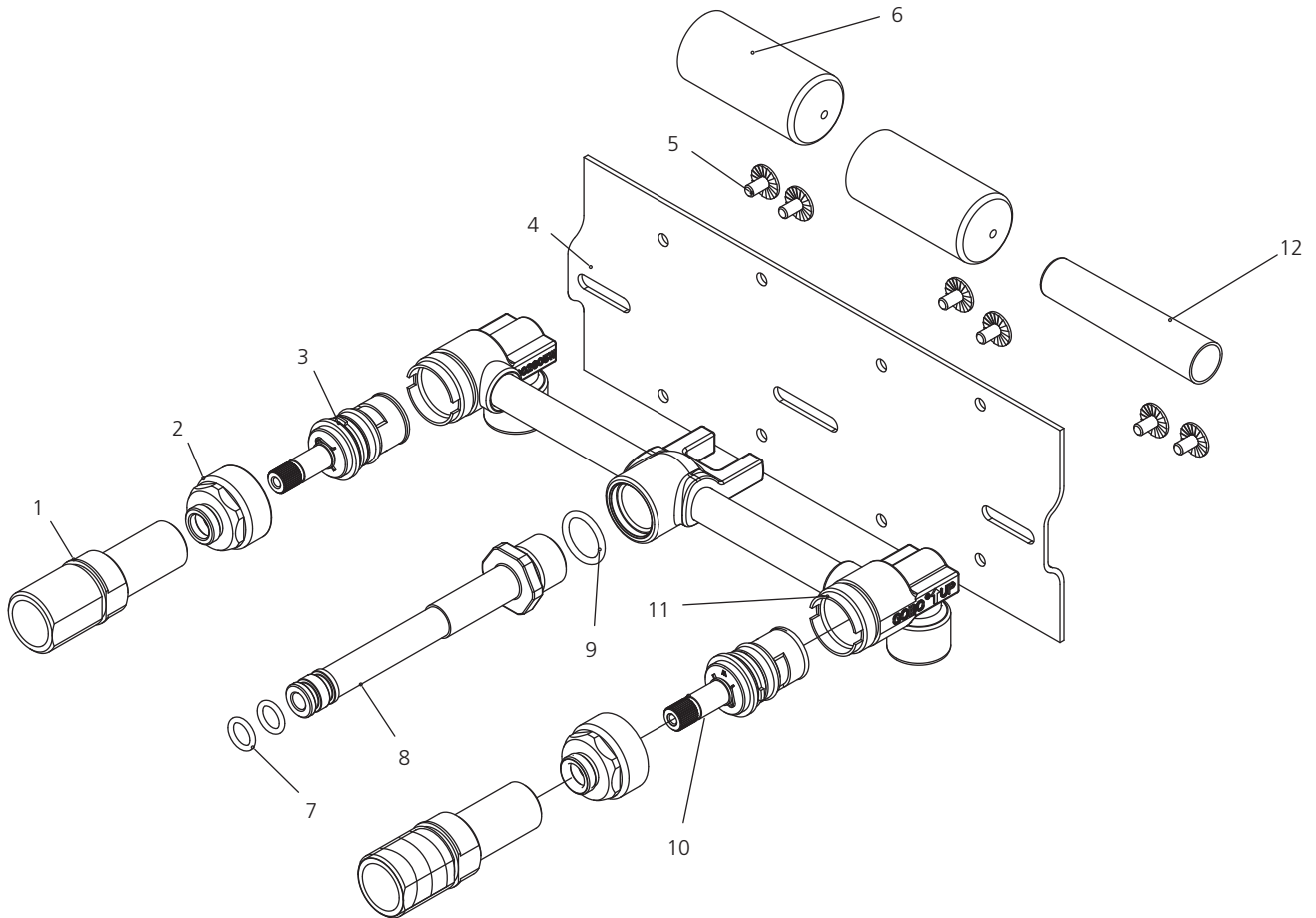
COPYRIGHT © LBIP LTD 2012. ALL RIGHTS RESERVED.

DIMENSIONS IN INCHES & MILLIMETRES

WHILST EVERY EFFORT IS MADE TO ENSURE THE ACCURACY OF THESE DATA SHEETS THEY ARE SUBJECT TO CHANGE WITHOUT NOTICE AS PART OF THE COMPANY'S PRODUCT DEVELOPMENT PROCESS

R1-4016

LEVER 3-HOLE WALL BASIN MIXER ROUGH, TO SUIT K1-1401, X1-1030, M2-1111

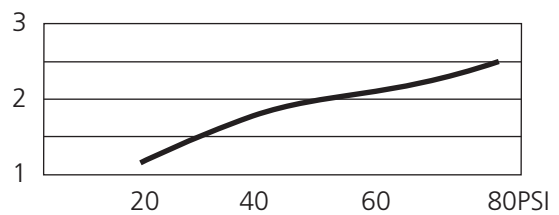


1	Adaptor (067733)	6	Protective cap (038007)	11	Body (002727W)
2	Retaining nut (016231)	7	O-ring (004026N)	12	Protective cap (045160)
3	Cartridge (H) (507071W)	8	Adaptor (067732W)		
4	Back plate (126671-S)	9	O-ring (004010N)		
5	Screw (008013)	10	Cartridge (C) (507072W)		

Standards

IAPMO/cUPC Listed
Meets NSF 61-9
Meets A112.18.1

Flow Rate



Please note :
Final achievable flow rate is dependent on the outlets fitted, see relevant outlets (spouts, roses, sprays) for fully assembled product flow rate.